

10 9 8 7 6 5 4 3 2 1

F

E

D

C

B

A

F

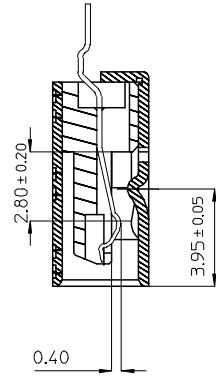
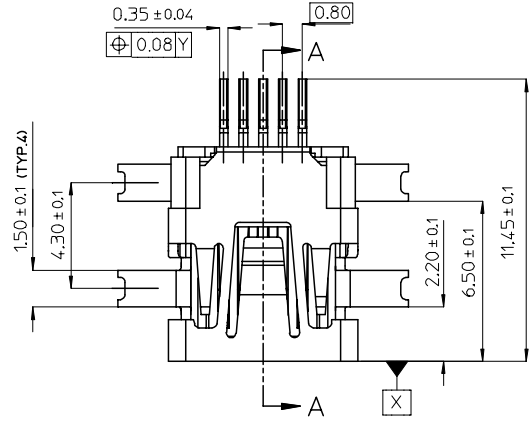
E

D

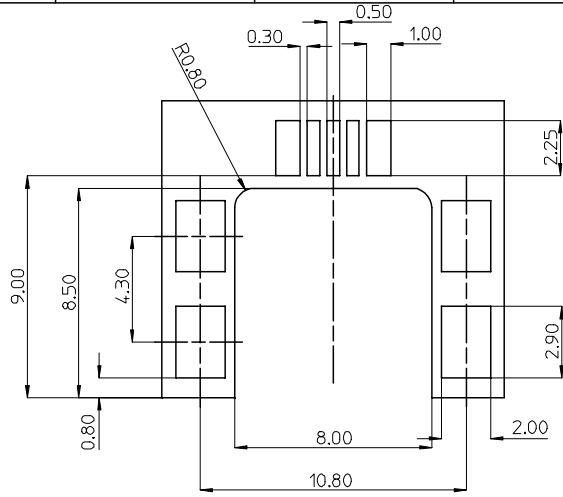
C

B

A



SECTION A-A

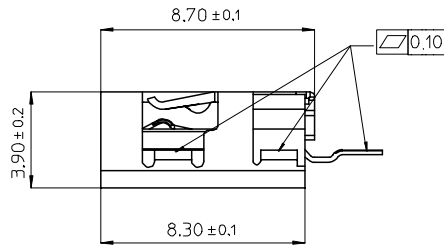
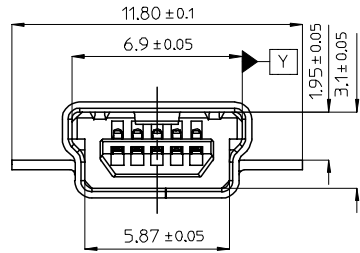
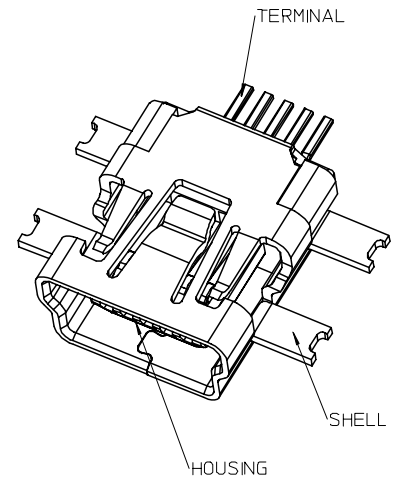


RECOMMENDED PCB LAYOUT

TOLERANCE: ± 0.05MM

NOTE:

1. MATERIAL:
HOUSING : LIQUID CRYSTAL POLYMER(LCP),
GLASS FIBER FILLED, UL94V-0.COLOUR:BLACK.
TERMINAL : PHOSPHOR BRONZE.THICKNESS=0.2±0.05MM.
SHIELD : STAINLESS STEEL.THICKNESS=0.4MM.
2. PLATING:
TERMINAL:
CONTACT AREA: GOLD 0.76 MICROMETER MINIMUM.
SOLDER TAIL AREA: PURE MATTE TIN 3.8 MICROMETER MINIMUM.
UNDER PLATING:F-NICKEL.
SHIELD:
PURE MATTE TIN 3.8 MICROMETER MINIMUM.
UNDER PLATING:NICKEL.
3. TAIL & NAIL COPLANARITY 0.1 mm MAXIMUM.
4. PRODUCT SPECIFICATION REFER TO PS-47153-001
5. PACKAGING REFER TO PK-48242-001
6. TEST SUMMARY REFER TO TS-48242-001
7. LEAD-FREE AND ROHS COMPLIANCE.



RELEASED EC NO: SH2006-0297 DRW: EKA001 CHKD: APPR: WWSCHANG	2006/01/17 2006/01/17 2006/01/18	DESCRIPTION A	REV	
	QUALITY SYMBOLS ▽=0 ▽=0			

GENERAL TOLERANCES (UNLESS SPECIFIED)																
	<table border="1"> <tr> <th></th> <th>mm</th> <th>INCH</th> </tr> <tr> <td>4 PLACES</td> <td>± ---</td> <td>± ---</td> </tr> <tr> <td>3 PLACES</td> <td>± ---</td> <td>± ---</td> </tr> <tr> <td>2 PLACES</td> <td>± 0.25</td> <td>± ---</td> </tr> <tr> <td>1 PLACE</td> <td>± 0.25</td> <td>± ---</td> </tr> </table>		mm	INCH	4 PLACES	± ---	± ---	3 PLACES	± ---	± ---	2 PLACES	± 0.25	± ---	1 PLACE	± 0.25	± ---
	mm	INCH														
4 PLACES	± ---	± ---														
3 PLACES	± ---	± ---														
2 PLACES	± 0.25	± ---														
1 PLACE	± 0.25	± ---														
ANGULAR ± 3 °																
DRAFT WHERE APPLICABLE MUST REMAIN WITHIN DIMENSIONS																

DIMENSION STYLE MM ONLY	
DRAWN BY LISHER	DATE 2005/11/29
CHECKED BY ERIC KAO	DATE 2005/11/29
APPROVED BY WILSON	DATE 2005/11/29
MATERIAL NO. 48242-0001	DOCUMENT NO. SD-48242-001

SCALE	DESIGN UNITS METRIC	THIRD ANGLE PROJECTION
MINI-B REC. CONN SMT SINK TYPE (LEAD-FREE VERSION)		
MOLEX INCORPORATED		
SHEET NO. 1 OF 1		

9 8 7 6 5 4 3 2 1